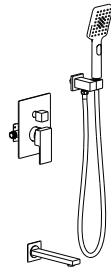
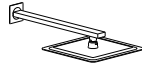




## Installation Guide



**Cube**  
KSF406

# Installation Instructions

 **READ ALL INSTRUCTIONS BEFORE UNPACKING THE PRODUCT** 

## Important

---

- 1- For best results, we recommend that this unit be installed by a licensed, professional plumber.
- 2- Please read over these instructions thoroughly before beginning installation. Make sure that you have all tools and supplies needed to complete the installation.
- 3- Keep this booklet and the receipt (or other proof of date and place of purchase) for this product in a safe place. The receipt is required should it be necessary to request warranty parts.
- 4- Please keep the box and packaging materials until your product is completely installed and functional.
- 5- Do not return to the store if problems, Contact Customer Service ASAP at 855-883-0888 or email support@kibiusa.com to get help.

**Caution: Always turn off the water before disassembling the valve. Open valve handle to relieve water pressure and to ensure that complete water shut-off has been accomplished.**

### Flushing

**Important: Before closing wall openings, pressure test valve and complete system using flushing instructions.**

Pipe chips, sand and other solids found in and renovated plumbing can damage the sealing surfaces of the cartridge, causing leakage or spool blockage. To avoid damage, **DO NOT TURN ON SUPPLY VALVES** until instructed.

## Tools you may need

---



Drill



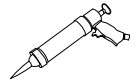
Screwdriver



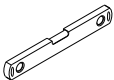
Safety Glasses



Wrench



Silicone Caulk Gun



Level



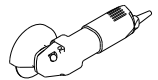
Pencil



Plumbers tape

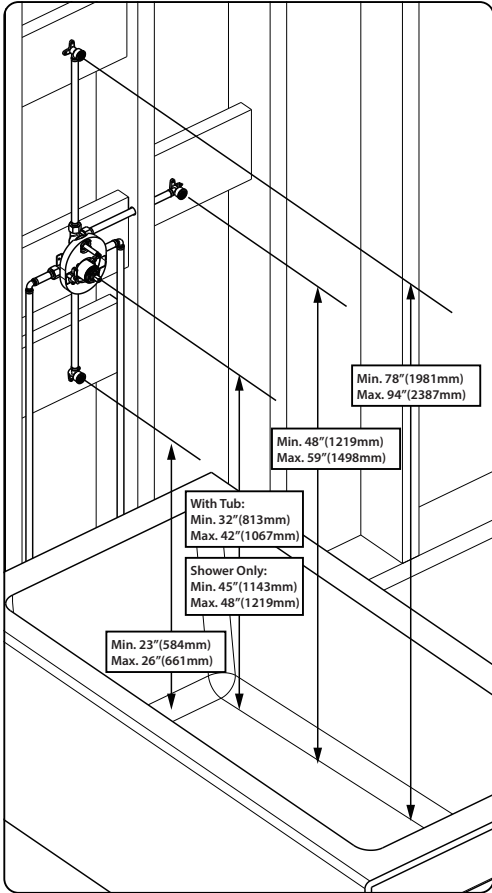


Tape Measure



Angle Grinder

# Valve Installation Instructions



## Installation Schematics – Measuring for Ideal Tub/ Shower Performance

Installation of this product at non-recommended measurements may lead to issues such as water discharge from the showerhead during tub fill mode.

### Tub/Shower

Position the valve body 32-42 inches from the floor of the tub basin. (Follow valve instruction for proper valve body installation).

### Shower Only

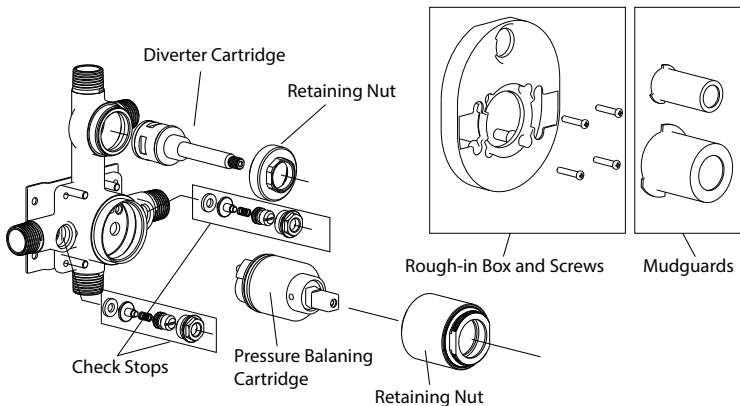
Position the valve body 45-48 inches from the floor of the tub basin. (Follow valve instruction for proper valve body installation).

The shower arm should be placed 78-94 inches above the floor of the tub basin. (Follow shower arm instruction for proper threaded adapter installation).

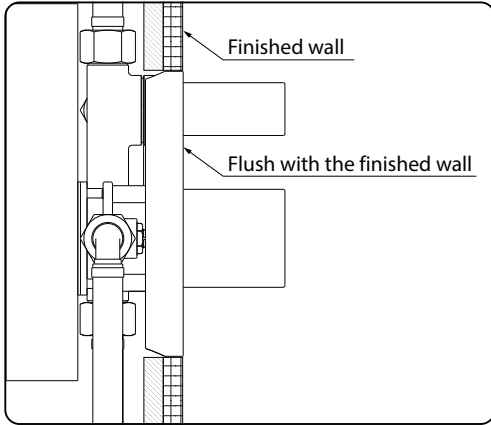
The hand shower should be placed 48-59 inches above the floor. (Follow hand shower holder instruction for proper threaded adapter installation).

The tub spout should be placed 23-26 inches above the floor. (Follow tub spout instruction for proper threaded adapter installation).

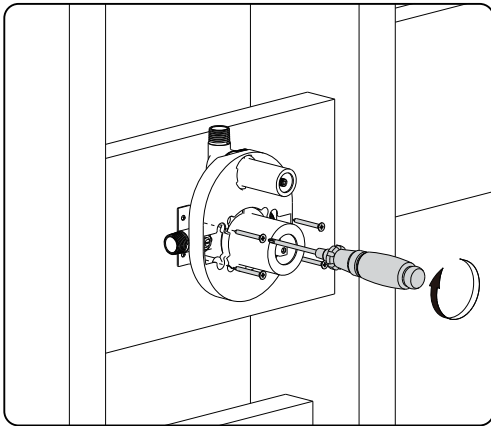
## Parts of Valve



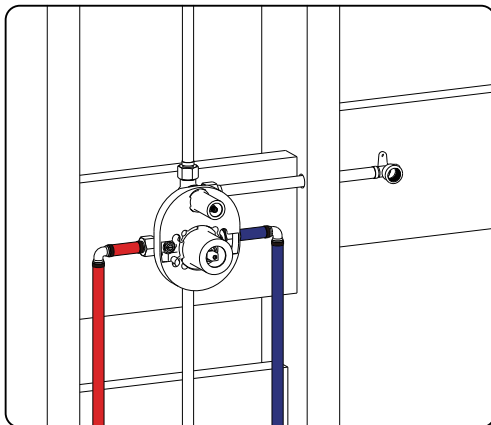
# Valve Installation Instructions



SHUT OFF WATER SUPPLIES. Consider the type and thickness of your finished wall before placing your stringer back plate.



Install the body so the surface of the finished wall is flush with the front of the rough-in box. Make sure the word "UP" are on top of the valve body when installing.



Connect the valve body to water supplies using proper fittings (copper tubing, iron pipe or PEX).

**Note: For PEX, be sure to use the right fitting for crimping and the right tool for cold expansion.**

If any of the three outlet ports is to be unused, seal the port with a pipe plug.

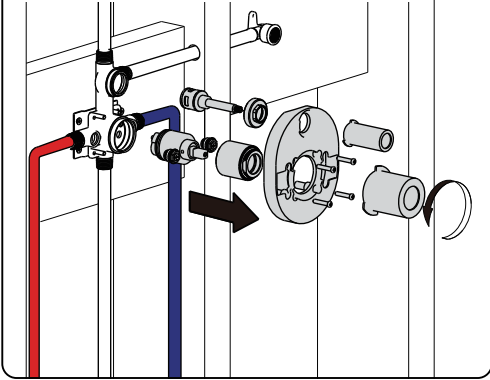
**Note: Left is the hot inlet port and right is the cold inlet port.**

If you are making a back-to-back or reverse installation (hot on the right and the cold on left) install the valve body as described, but the water supply lines will be reversed.

**Note: Right is the hot inlet port and left is the cold inlet port.**

# Valve Installation Instructions

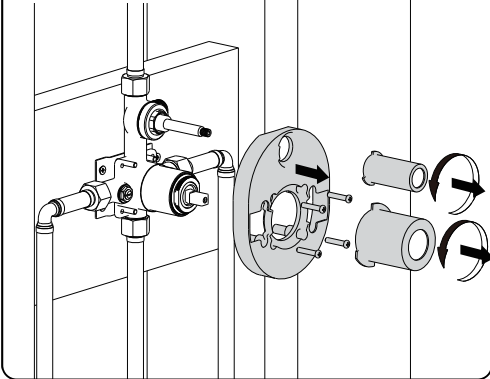
## For 1/2" Copper Tube Soldering



Solder water supply tube to the valve body.

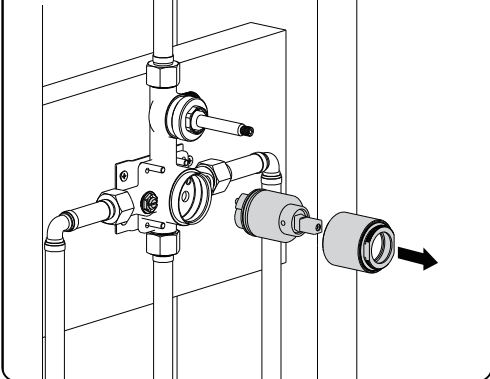
**Note:** Prior to soldering remove check stops, pressure balancing cartridge and diverter cartridge. Remove check stops by loosening hex nut counterclockwise. Remove the pressure balancing cartridge and diverter cartridge by unscrewing retaining nut with an adjustable wrench. Avoid soldering excessively at high temperature.

## Flushing



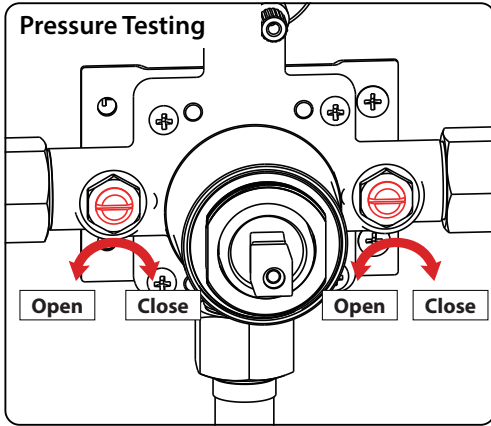
Remove two round mudguards by turning counterclockwise.  
Remove the rough-in box.

## Flushing



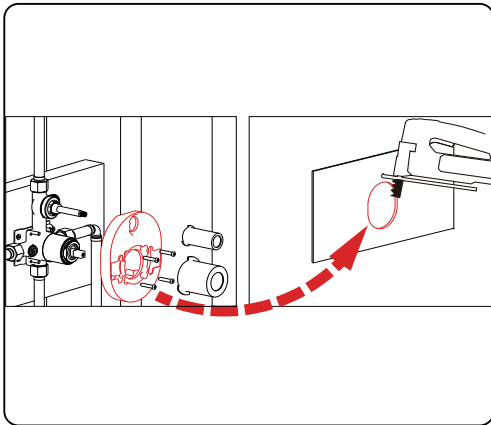
Remove pressure balancing cartridge by unscrewing retaining nut with an adjustable wrench.  
Slowly turn on both hot and cold supplies and flush out the valve body and lines.  
Close the check stops and reinstall the cartridge.

# Valve Installation Instructions

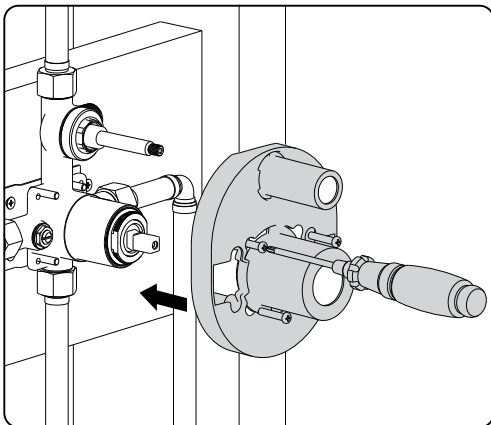


With both check stops in the fully OPEN position, turn on cold and hot water supplies and conduct a system water pressure leak test.

**Note: To protect the valve, keep mudguards and rough-in box on during installation. Remove only when you are ready to install trims.**



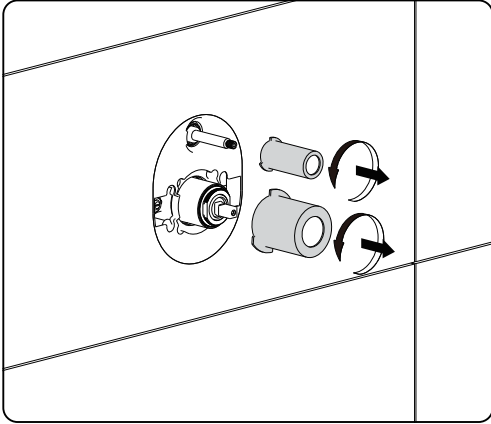
Use the rough-in box as a template to cut the wall properly.



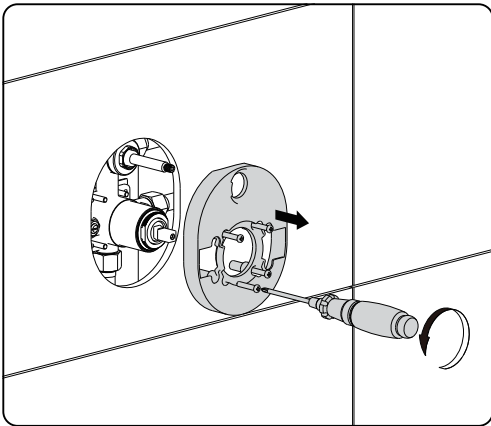
Reinstall rough-in box, two round mudguards by turning clockwise and complete the wall finish installation.

**Note: In keeping with standard plumbing practices it is essential that all tub/shower systems be tested extensively for leaks before the finishing wall, (tile, etc.) is completed. Also ensure that the check stops are exposed, (not covered by tile, boarding etc.) under the removable trim plate. The trim plate should completely cover the rough-in opening when attached. (Having access to these stops allow you to stop the water flow to your shower system without turning off the water to the rest of the bathroom or home.)**

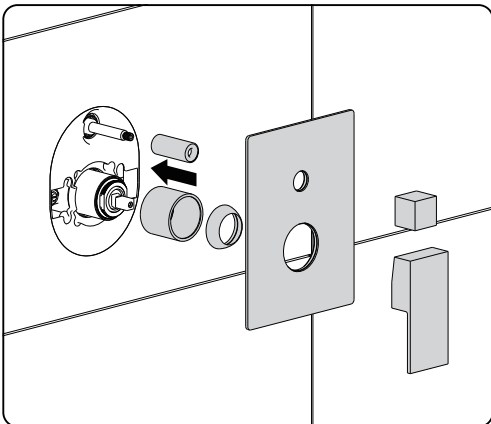
# Trim Installation Instructions



Remove two round mud guards by turning counter-clockwise and discard.



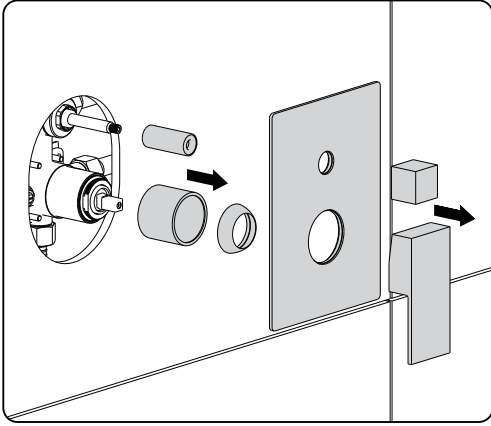
Remove the rough-in box and discard.



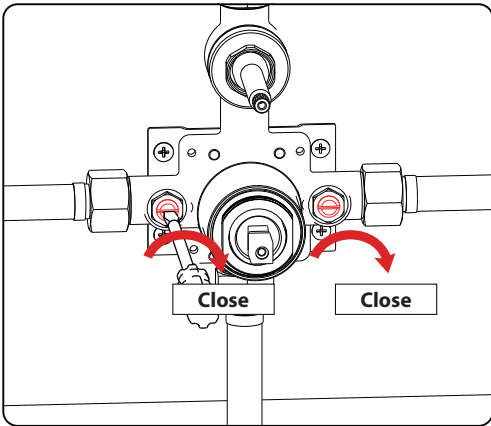
Screw small decorative tube over the diverter valve and slide large decorative tube and cartridge cover onto the pressure balancing valve. Use water to wet the round rubber gaskets on the cover plate and slide cover plate over two decorative tubes. Gently press cover plate against the finished wall. Install cartridge handle and diverter handle. Secure by tightening set screw by using the supplied Allen Wrench. Cover the hole with the supplied plug.

# Cleaning and Maintenance Instructions

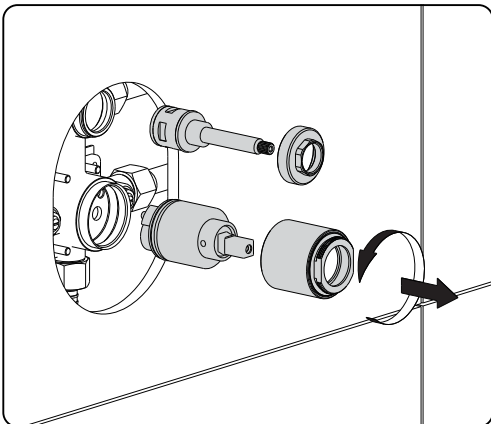
---



Remove cartridge handle, diverter handle and trim panel.  
Remove the decorative ring and decorative sleeve tube.



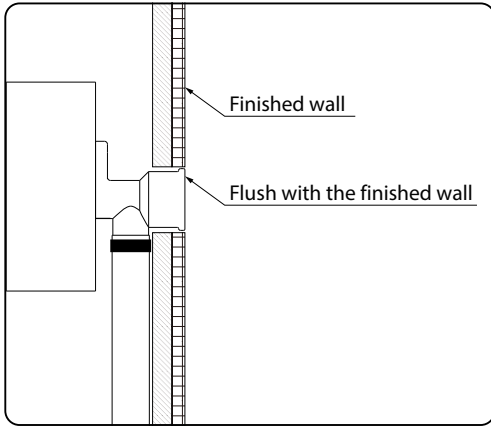
Using light force only, turn 2 check stops clockwise to close the check stops with the flat head screwdriver, until you feel resistance, the check stops are in the closed position.



Remove the retaining nut using an adjustable wrench. Use two fingers to grasp the stem of the cartridge and wiggle, then pull out. Shake cartridge and ensure that a clicking sound is heard, which means the pressure balancing spool moves freely and works properly. You may soak the cartridge in 50-50 vinegar/water mix to remove any calcium and mineral build-up. Replace the cartridge if it is damaged.



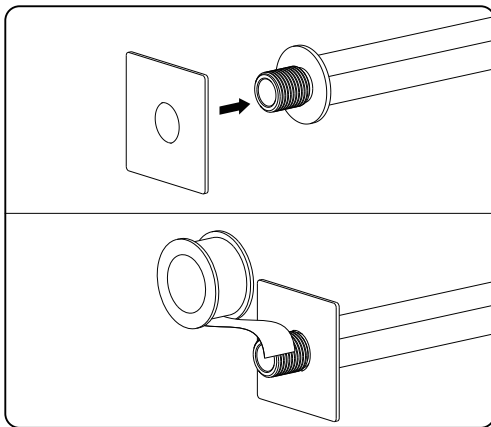
# Shower Head and Shower Arm Instructions



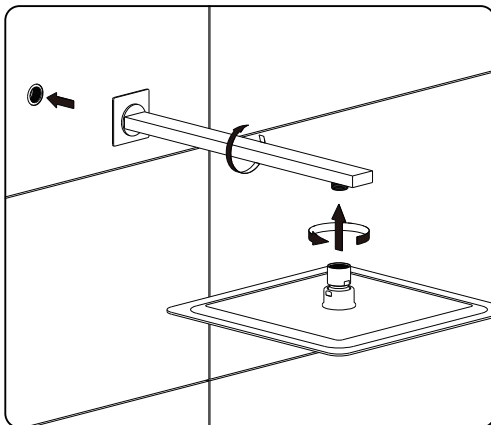
**SHUT OFF WATER SUPPLIES.** Consider the type and the thickness of your finished wall before placing your stringer back plate.

Install the threaded adapter so the surface of the finished wall is flush with the front of the threaded adapter.

Make sure that 1/2" threaded adapter is installed securely inside the wall.



Slide escutcheon over shower arm, and apply Teflon tape onto male threads.

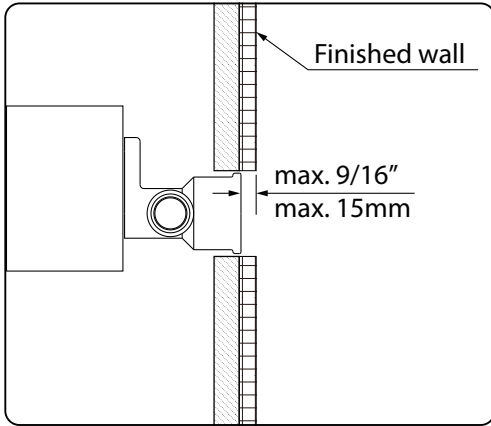


Screw the shower arm into threaded adapter.

Screw the shower head onto the shower arm and tighten with an adjustable wrench.

# Hand Shower Holder Instructions

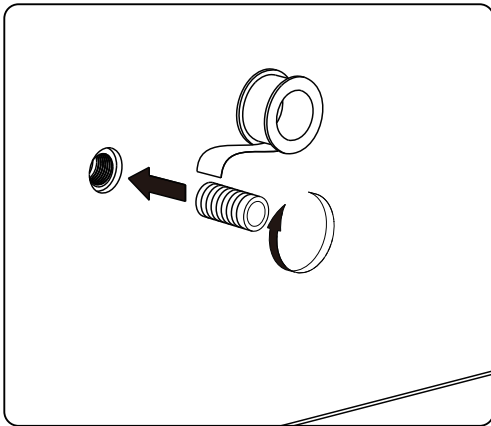
---



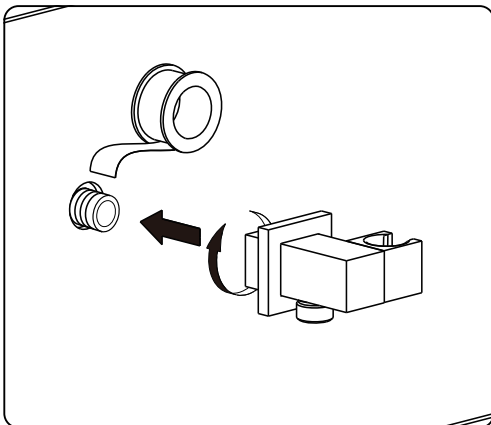
**SHUT OFF WATER SUPPLIES.** Consider the type and the thickness of your finished wall before placing your stringer back plate.

Install the threaded adapter in the wall and do not go further than the face of the finished wall, the distance between threaded adapter and wall surface is maximum 9/16 inch (15mm).

Make sure that 1/2" threaded adapter is installed securely inside the wall.

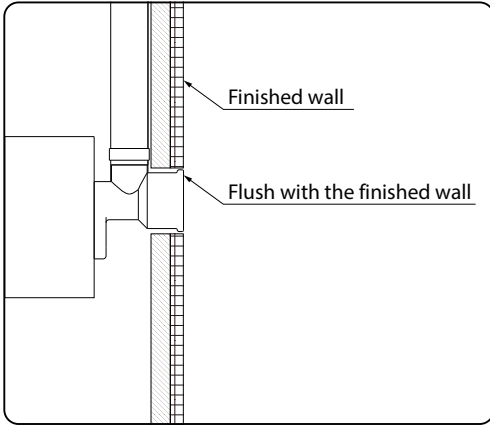


Apply Teflon tape on male threads and screw Connector into threaded adapter.



Apply Teflon tape onto the Connector and screw the hand shower holder onto Connector.

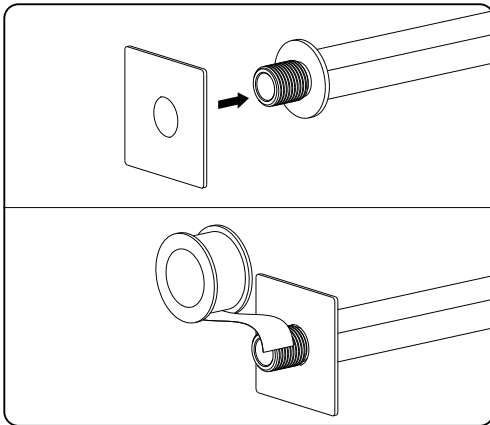
# Tub Spout Instructions



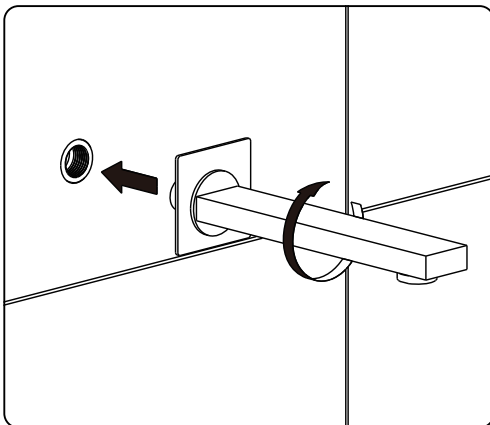
**SHUT OFF WATER SUPPLIES.** Consider the type and the thickness of your finished wall before placing your stringer back plate.

Install the threaded adapter so the surface of the finished wall is flush with the front of the threaded adapter.

Make sure that 1/2" threaded adapter is installed securely inside the wall.

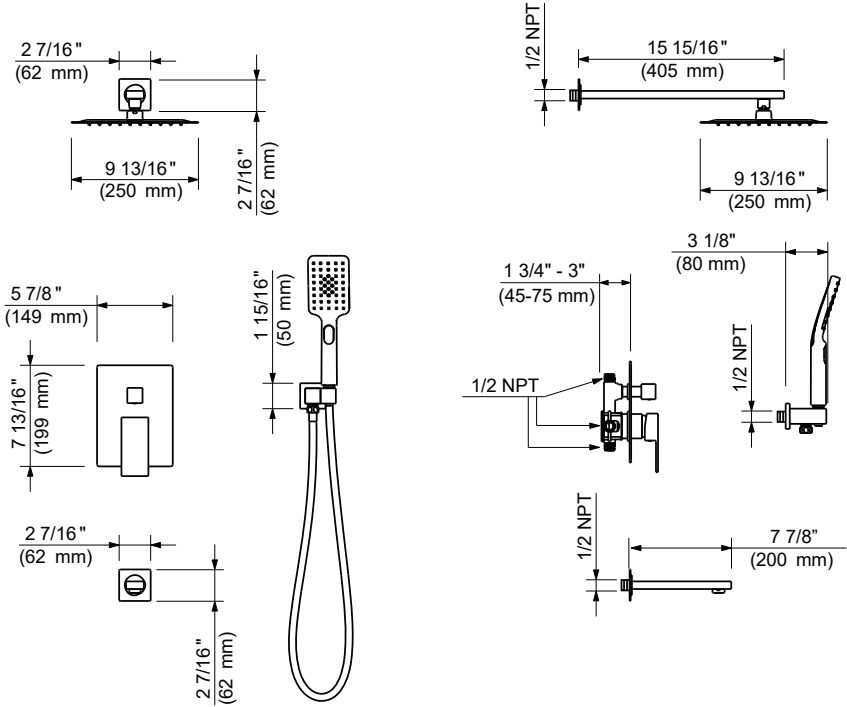


Slide escutcheon over tub spout, and apply Teflon tape onto male threads.



Screw tub spout into the threaded adapter.

# Dimensions



## Cleaning and care

Clean the faucet often with a soft cloth to keep it looking like new. For heavy cleaning you can use mild liquid detergents or non-abrasive liquid polisher. Rinse with water and dry with a soft cloth. Avoid abrasive cleaners, steel wool and harsh chemicals as these will dull the finish and void your warranty.

## LIMITED LIFETIME WARRANTY

KIBI provides its customers with an extensive warranty as a result of our excellent workmanship and high quality components used in our products.

**Mechanical warranty:** A limited lifetime warranty is provided on all mechanical parts to be free from manufacturing defects in materials and workmanship under normal use for as long as the original purchaser owns their home.

**Finish warranty:** A 5-year warranty is provided on all KIBI faucet finishes to the original purchaser against manufacturing defects in materials and workmanship.

At its sole discretion, KIBI will repair or replace any part or finish that proves to be defective in material and/or workmanship under normal installation, use and service.

This warranty is extended to the original consumer owner, but does not cover installation or any other labor charges. In no event shall KIBI be liable for any incidental, consequential or special damages, installation cost, labor, travel time, freight costs incurred, lost profits, or contingent liabilities. KIBI makes no representation that its products comply with any or all local building or plumbing codes. It is the consumer's responsibility to determine local code compliance.